

Features

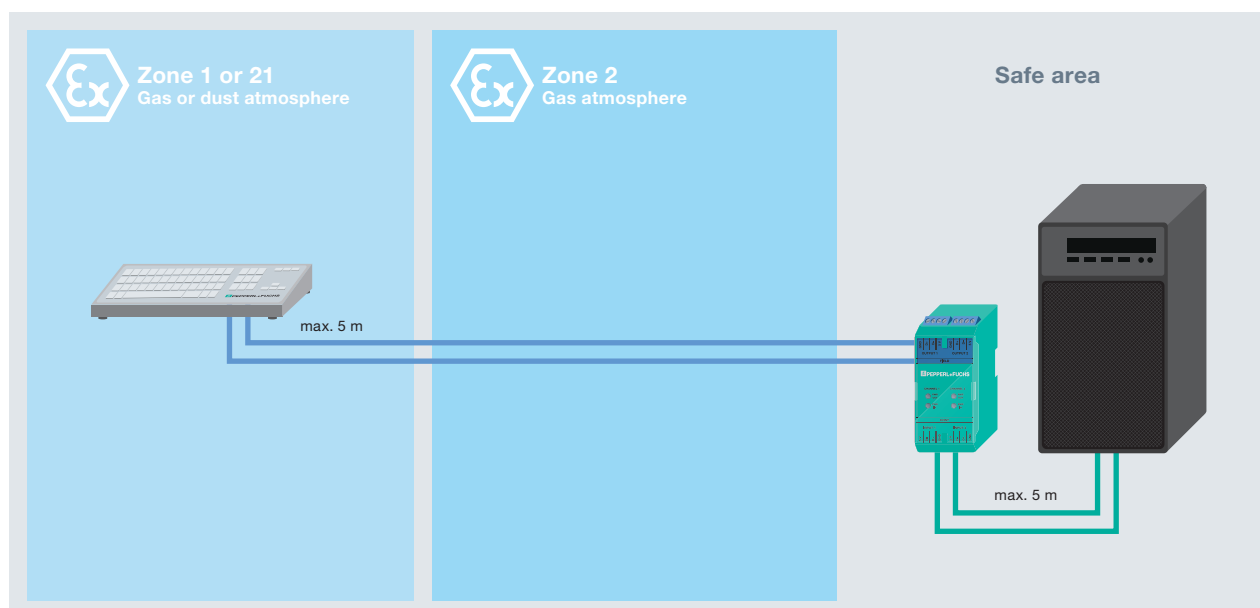
- Degree of protection IP66
- Stainless steel desktop housing available
- Several national layout variants
- PC-compatible-keyboard with 105 short stroke keys
- Designed to use in hazardous area, category II 2G (zone 1)
- USB or PS/2 interface with USB cable
- Certified for ATEX and IECEx Zone 1/21
- UL listed for USA and Canada

Application

Die EXTA2-*-K4-*-U-*- is an intrinsically safe keyboard with touchpad. The interfaces of mouse and keyboard are separated IS-Circuits. Both circuits are lead trough in one connecting cable. (connecting cable is included in delivery). The keyboards are designed for panel mounting or for installation in a housing.



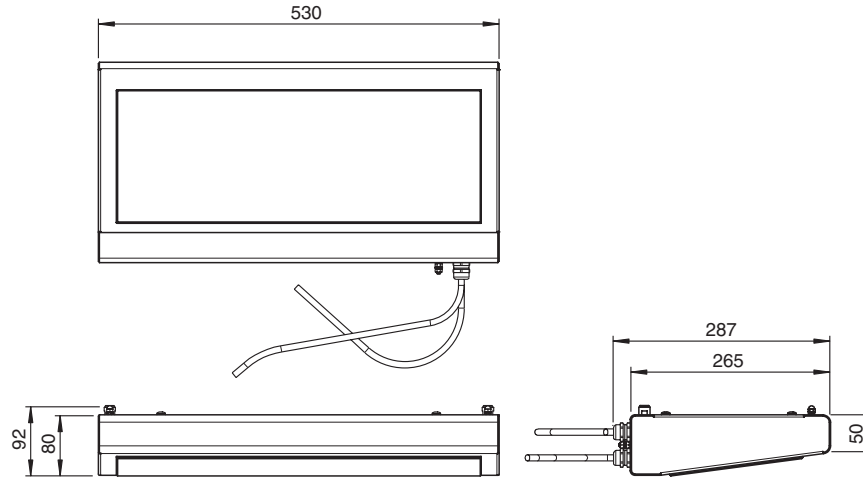
Connection



General specifications		
Type	Keyboard with touchpad	
Suitable components	SK-PC-Z1D1-UU1-10-HS	
Supply		
Rated voltage U_r	Ex i, via data line	
Indicators/operating means		
Keyboard	105 short stroke keys Keyboard layout: US international, German, French, (further keyboard layouts on demand)	
Touchpad		
Active Principle	capacitive	
Resolution	40 Pts./mm	
Dimensions	66 x 50	
Driver	Microsoft Mouse ® , USB	
Interface		
Interface type	USB	
Directive conformity		
Electromagnetic compatibility		
Directive 2014/30/EU	EN 61326-1:2013 (industrial locations) ; EN 61000-6-4:2007+A1:2011	
RoHS		
Directive 2011/65/EU (RoHS)	EN 50581:2012-09	
Conformity		
Electromagnetic compatibility	EN 61000-6-2:2005	
Degree of protection	IP66	
Ambient conditions		
Ambient temperature	-20 ... 50 °C (-4 ... 122 °F)	
Storage temperature	-20 ... 70 °C (-4 ... 158 °F)	
Relative humidity	max. 85 % , non-condensing	
Mechanical specifications		
Material	anodized aluminum , Polyester foil	
Mass	1.2 kg	
Dimensions	482.6 mm x 177.8 mm x 45 mm	
Cut out dimensions	450 mm x 152 mm	
Cable length	5 m / 1.8 m, USB	
Data for application in connection with hazardous areas		
EU-Type Examination Certificate	BVS 07 ATEX E 163 X	
Marking	 II 2G Ex ib IIC T4 Gb  II 2D Ex ib IIIB T135°C Db	
Input		
Voltage U_i	5.4 V	
Current I_i	240 mA	
Internal capacitance C_i	24 µF	
Internal inductance L_i	negligible	
Directive conformity		
Directive 2014/34/EU	EN 60079-0:2012+A11:2013, EN 60079-11:2012	
International approvals		
UL approval	UL listing / recognition : E190294	
IECEX approval	IECEX BVS 08.0022X	
Approved for	Ex ib IIC T4 Gb , Ex ib IIIB T135 °C Db	

Release date 2019-03-15 08:24 Date of issue 2019-03-15 t43357_eng.xml

Dimensions



Accessories

USB stand alone Barrier

SK-PC-Z1D1-UU1-10-HS

USB intrinsic safety barrier for stand-alone keyboard applications

Chemical resistance of keyboard foil

The keyboard foil is manufactured from a biaxially aligned polyester-based material and therefore has a greater resistance to solvents. The foil is stronger and more durable than other standard foils used on keyboards and front panels, such as polycarbonate and PVC.

The keyboard foil is resistant against the following substances: (Test method: DIN42115)	The foil passed the anti microbial effectiveness tested with: (Test method: AATCC Test method 100):
Alcohols	Staphylococcus aureus (MRSA)
Dilute acids	Escherichia coli 0157
Dilute alkalis	Listeria monocytogenes
Esters	Pseudomonas aeruginosa
Hydrocarbons	Salmonella enteritidis
Ketones	Bacillus cereus
Household cleaning agents	Streptococcus faecalis
	Klebsiella pneumoniae
	Aspergillus niger
	Penicillium purpurogenum
	Phoma violacea
	Saccharmyces cerevisiae

Release date 2019-03-15 08:24 Date of issue 2019-03-15 143357_eng.xml

EXTA2

Type	Explosion Protection	Housing	Keyboard Type	Keyboard Layout	Interfaces	Cable Length	Connector Type	Mounting Option	Revision	Options	
EXTA2-	Keyboard for hazardous areas										
TA2-	Keyboard for safe areas										
	Ex Protection										
	-F	ATEX II 2 GD; Zone 1/21									
	-J	IECEX & ATEX II 2 GD; Zone 1/21 NEC Class I, Div. 2, Zone 22; Class II, Div. 2, Zone 22; and Class III, Zone 22 (only in combination with "N" housing option)									
	-N	Version for safe area									
	-K	ATEX/IECEX, Class I, Div. 2, in combination with housing options "T" or "F"									
		Housing									
	-N	Panel mount version									
	-T	Desktop version									
	-F	Enclosure Version									
		Keyboard Type									
	-K3	Foil keyboard with trackball. ATEX/IECEX only.									
	-K4	Foil keyboard with touchpad									
	-K6	Foil keyboard with joystick. Not to be used with option "N" when marked as Class I, Div. 2, Zone 2; Class II, Div. 2, Zone 22; Class III, Zone 22.									
		Keyboard Layout									
	-US	US international keyboard layout									
	-DE	German keyboard layout									
	-FR	French keyboard layout									
	-XXX	Other keyboard layouts on demand									
		Interface									
	-U	2 x USB interface									
		Cable Length									
		02	1.8 m keyboard cable								
		05	5 m keyboard cable								
		Connector Type									
	-CF	Cable ends with wire end ferrule									
	-UA	2 x USB plugs type A (not available for Ex protection option "-J")									
		Mounting Option									
	-Z	No mounting option necessary									
	-F	15° mounting adapters, vertical									
	-L	75° mounting adapters, vertical									
	-H	15° mounting adapters, horizontal									
	-G	1-Arm for mounting to housing AG-XX00									
		Revision									
	-10	Release 1.0									
		Options									
	-N	No options									
	-U	UV-resistant foil									

Release date 2019-03-15 08:24 Date of issue 2019-03-15 t43357_eng.xml