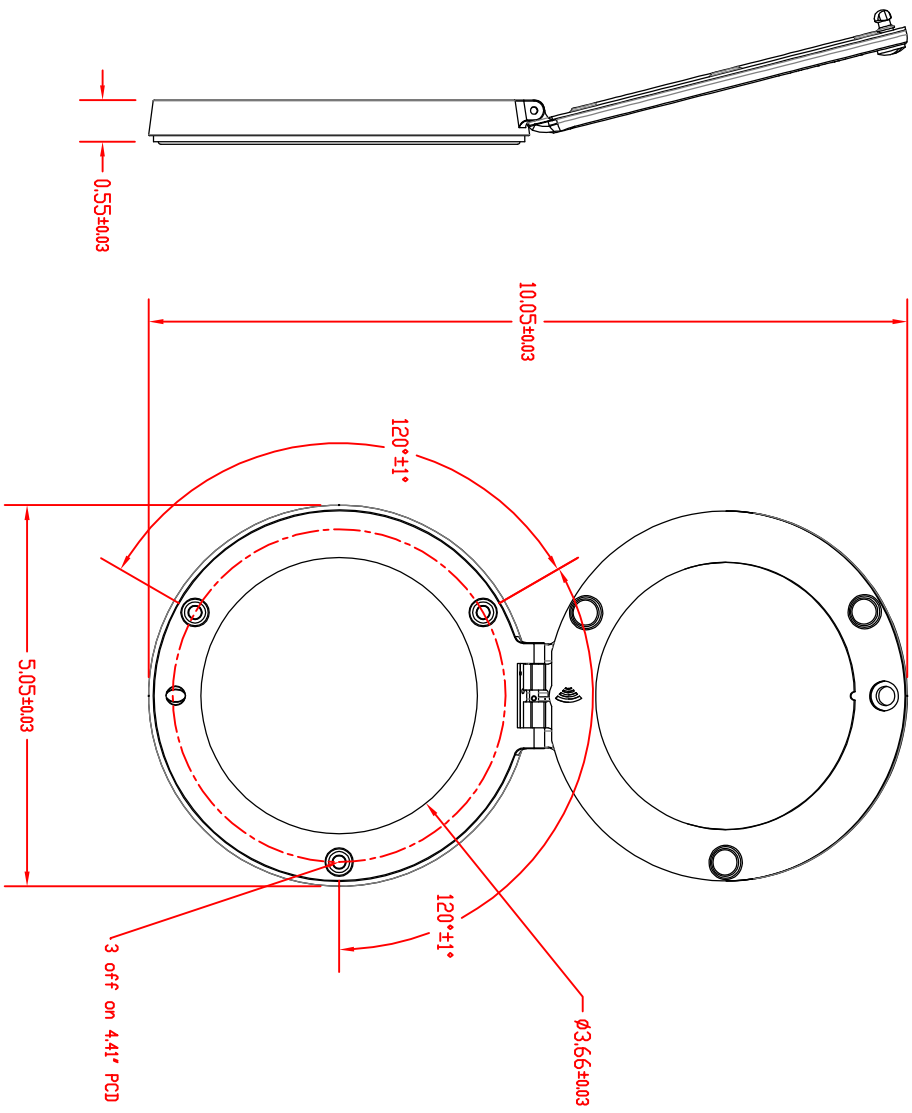
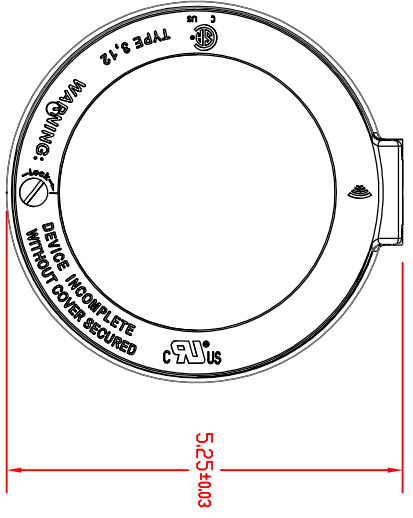


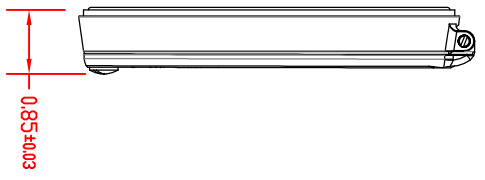
Recommended center hole
cutter sizes:
Holesaw 3 3/4 Inch dia
Hole punch 95.3mm dia



OPEN



CLOSED



SCALE:1:1 - measurements in decimal Inches

IW4000

CorDex Instruments Ltd.

Date	Rev	Drn	Chk	App	Description
1/1/11	A	RK	HH		Original Issue

Material	various
Title	IR Window Assembly
Sheet No.	1 of 1
DRG No.	CDX-0100-20