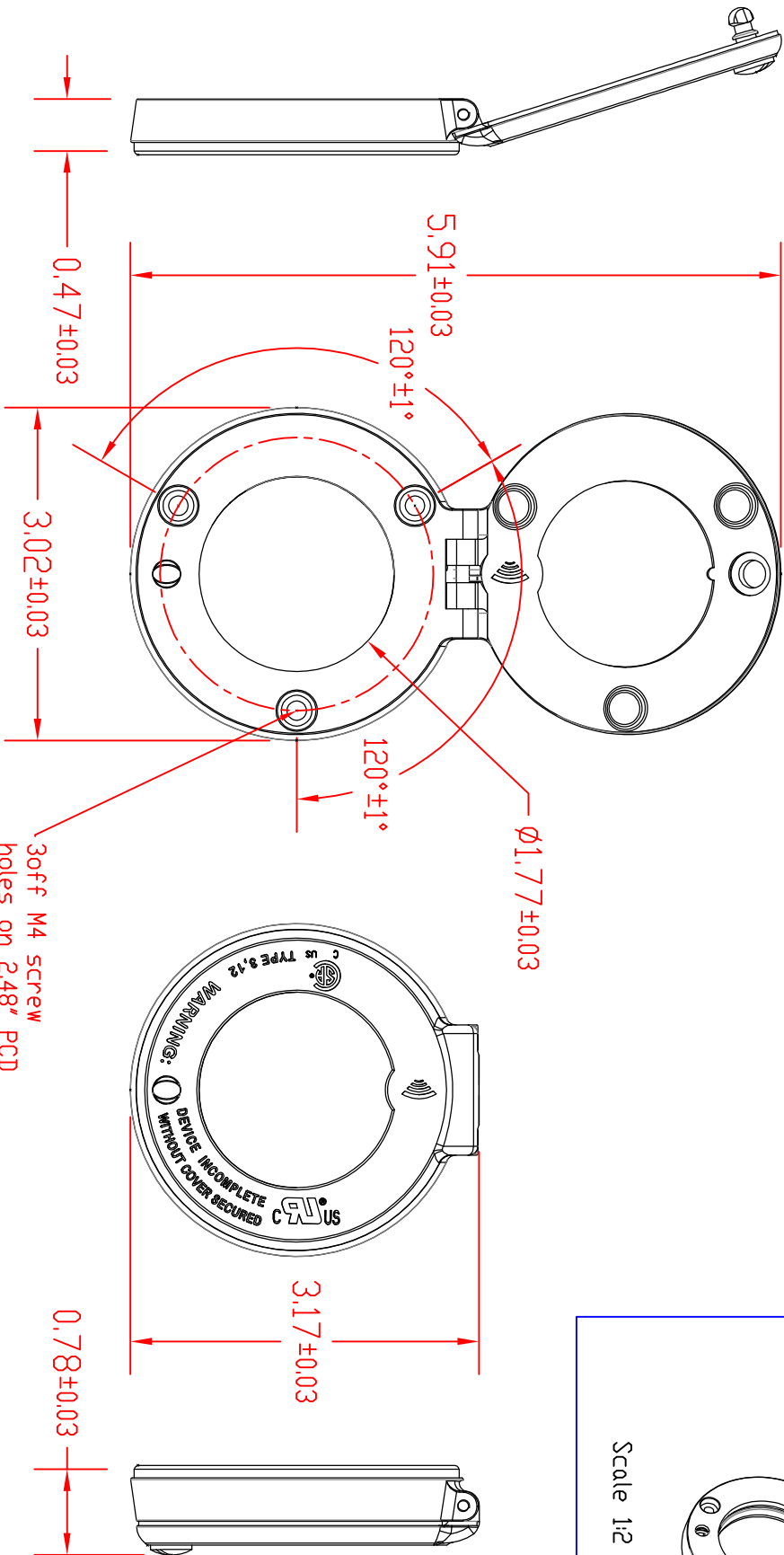
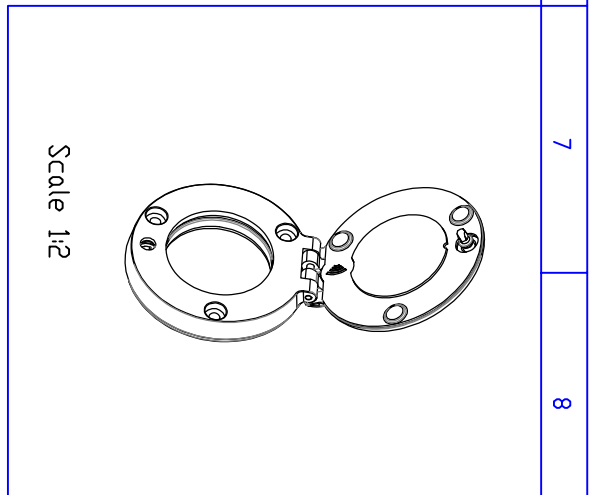


Recommended center hole
cutter sizes:
Holesaw 1 3/4 Inch dia
Hole punch 47.0mm dia



OPEN

CLOSED

SCALE: 1:1 - measurements in decimal Inches

IW2000

CorDex Instruments Ltd.

Date	Rev	Drn	Chk	App	Description
1/11/11	A	RK	MH		Original Issue

Material	various
Title	IR Window Assembly
Sheet No.	1 of 1
DRG No.	CDX-0050-20