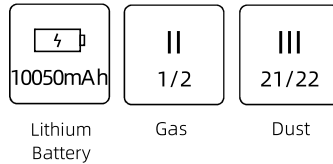




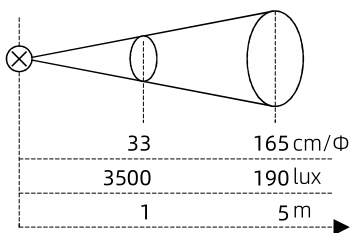
# ExMP52R

## Explosion Proof Rechargeable LED Handlamp



### Description

- Suitable for explosive environment class II zone 1, 2, class III zone 21, 22 and other professional portable lighting.
- Intrinsically safe explosion-proof design.
- The body is made of high performance nylon. It features as lightweight, anti-aging, anti-corrosion, impact-resistant and easy to carry.
- Professional optical lens design, soft illumination, uniform spot, in line with GB30734 fire protection standard.



### Parameters

Certifications:	IECEX, ATEX
Ex mark:	IECEX: Ex ib IIC T4 Gb; Ex ib IIIB T130°C Db ATEX: Ⓜ II 2 G Ex ib IIC T4 Gb Ⓜ II 2 D Ex ib IIIB T130°C Db
Usage:	II Zone 1/2, and III Zone 21/22
Working ambient temp.:	-40°C ≤ Ta ≤ +55°C
Ingress protection:	IP66/67
CCT:	6500K
Luminous flux:	≥340lm (strong mode), ≥180lm (work mode), ≥180lm (SOS mode)
Run time:	≥14h (strong mode), ≥24h (work mode)
Beam distance:	≥118m (strong mode), ≥87m (work mode)
Battery type:	18650 lithium battery (IEC 61233, IEC 61960)
Battery capacity:	3.6V, 10050mAh
Charging way:	matched 1000/01-B52 charging base
Charging time:	≤12h
Charging cycles:	500 cycles
Lifespan:	50,000h (without battery)
Position indicator:	Blue / Green / Yellow / Red / White (optional)

Note: The luminous flux and continuous discharge time are the values measured under the environment of -20°C ≤ Ta ≤ +55°C.

## Features



## Order specifications

Illustration	Description	Weight (g)	Order No.
	Explosion Proof Rechargeable LED Handlamp	589	ExMP52R-□
	Explosion Proof Rechargeable LED Handlamp + Charging base + Power cord	962	ExMP52R-□+B52-□

0-Without ● R-Red ● G-Green  
● Y-Yellow ● B-Blue ○ W-white

Color of position indicator

□ GB □ EN □ BS □ ANSI □ AS □ JIS

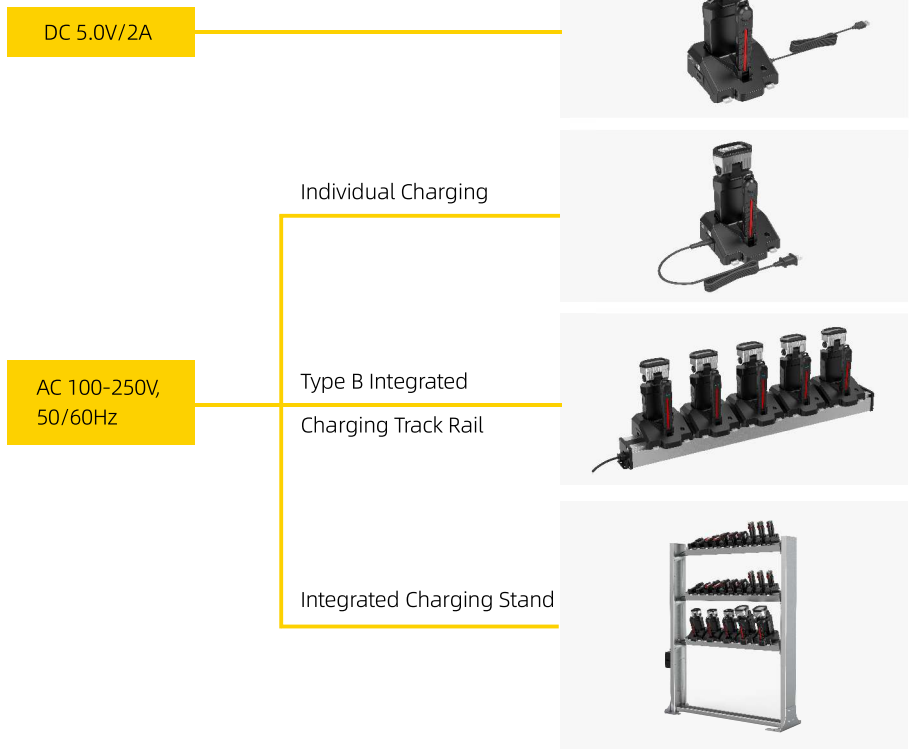
Code of plug

Note: Users can choose type B integrated charging track rail and integrated charging stand. Please see pages 03-05 for details.

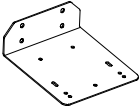

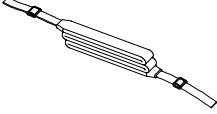
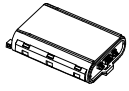

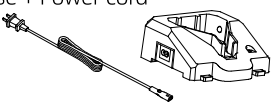
## Charging system






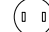
- ExMP52R is equipped with a dedicated charging base to ensure safe use. The charging base has a charging indicator light, red means charging, green means fully charged.
- The charging base has 3 charging ports - AC 100-250V/0.5A, DC 5.0V/2A and a matched integrated charging port at the bottom. Safe, simple and convenient.
- This product is suitable for type B integrated charging track rail.

Note: For technical parameters of integrated charging track rail and integrated charging stand, please refer to pages 03-05.

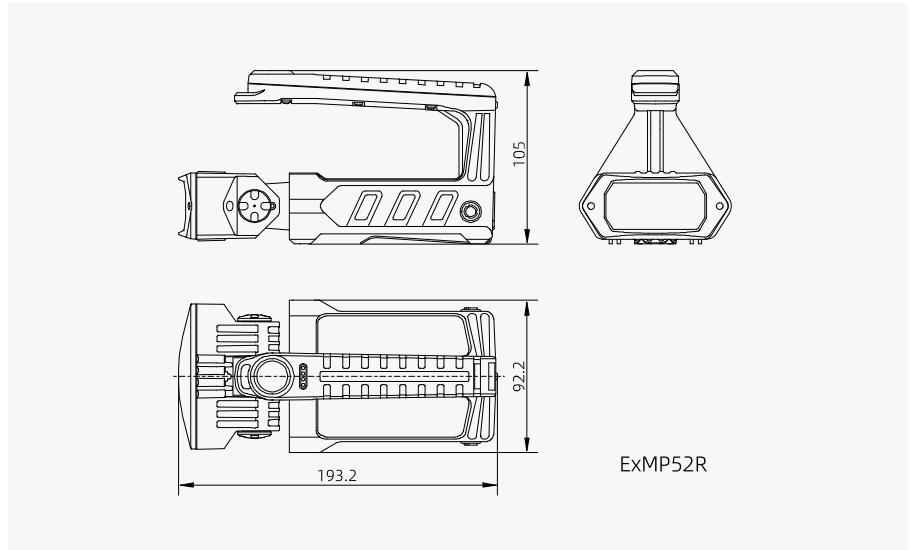


## Spare parts

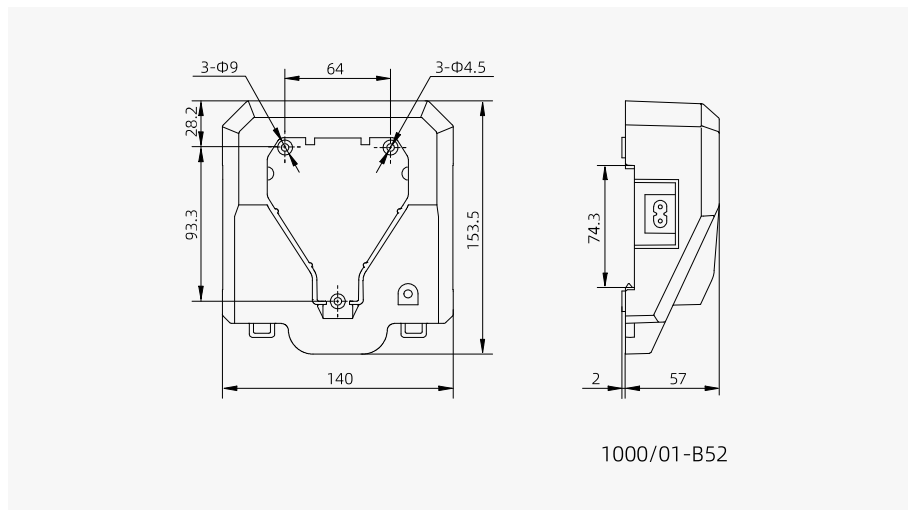
Illustration	Description	Weight (g)	Order No.
	 304 stainless steel	435	1000/11-03-01
	/	30	1000/11-02-01
	3.6V, 10050mAh	158	1000/05-R52-Ex
	Input voltage/current: DC 5.0V/2000mA	94	1000/12-01
	Input voltage/current: AC 100-250V/500mA Input voltage/current: DC 5.0V/2000mA	373	1000/01-B52-□

 GB
  EN
  BS
  ANSI
  AS
  JIS
 \_\_\_\_\_ Code of plug

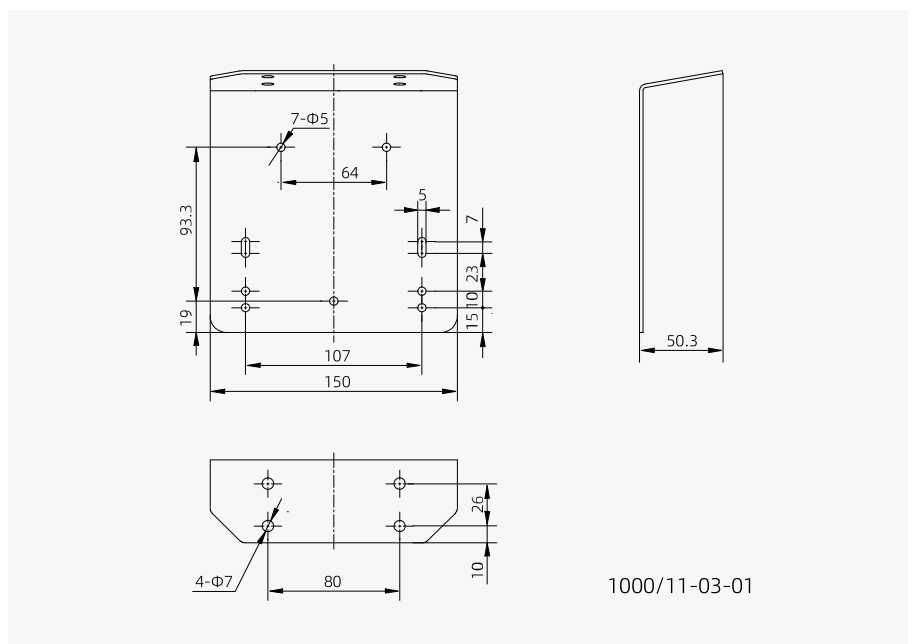
Outline dimension (unit: mm)



ExMP52R



1000/01-B52



1000/11-03-01